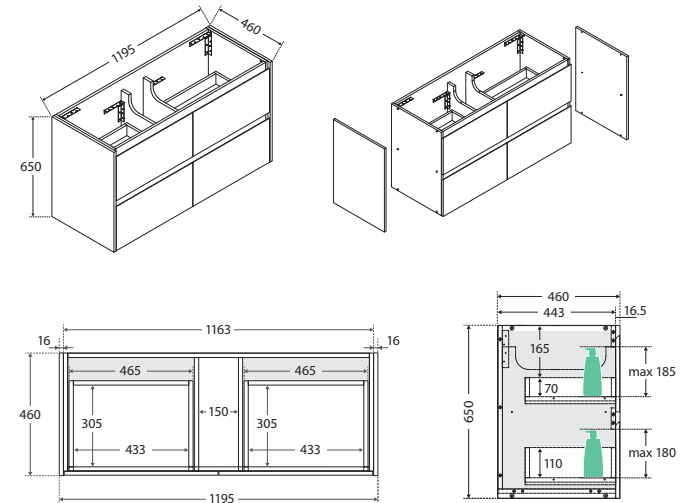


# Amato®

## 1200MM WALL-HUNG CABINET WITH SOLID PANELS

### Features

- Customised options with solid side panels in four finishes
- Bevelled edge pull channel
- Interior drawer finish matches the external drawer fronts
- Full extension, soft close drawer runners
- 16 mm thick backing board and drawer bases
- Made from sustainably sourced timber



### Available in



Satin White with  
Satin White Panels  
**120BW**



Scandi Oak with  
Scandi Oak Panels  
**120BS**



Industrial with  
Industrial Panels  
**120BX**



Satin Black with  
Satin Black Panels  
**120BB**



Mixed finishes  
available. See our  
website for details.

### Cleaning & Care

- Regularly clean with mild soapy water using a clean, soft cloth.
- Do not use harsh detergents, bleach, abrasive cleaners or cream/wax cleaners. These substances can result in scratches and/or deposit build-ups that will affect the appearance.
- Avoid placing hot objects, such as hair straighteners, on any surface as these will cause discolouration and marking.
- Spills of hair dye, after-shave lotion, nail polish and remover, aerosol spray and other harsh chemicals should be removed immediately to prevent damage and discolouration. Clean immediately with mild soapy water using a clean, soft cloth.

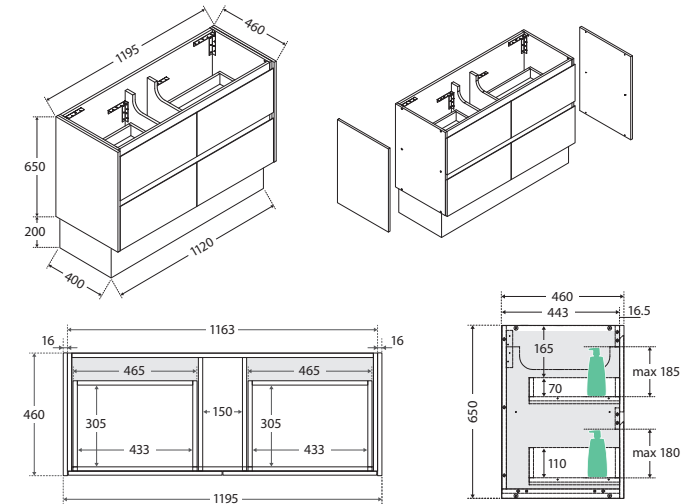
While we aim to ensure specifications are correct at the time of publication, Fienza reserves the right to make modifications without prior notice. Physical colour may vary from image shown. All measurements are shown in millimetres. Always use physical product measurements for mark-ups and roughing-in as the technical drawing may differ from actual product received.

# Amato®

## 1200MM CABINET ON KICKBOARD WITH SOLID PANELS

### Features

- Customised options with solid side panels in four finishes
- Bevelled edge pull channel
- Interior drawer finish matches the external drawer fronts
- Full extension, soft close drawer runners
- 16 mm thick backing board and drawer bases
- Made from sustainably sourced timber



### Available in



Satin White with Satin White Panels  
**120BWK**



Scandi Oak with Scandi Oak Panels  
**120BSK**



Industrial with Industrial Panels  
**120BXK**



Satin Black with Satin Black Panels  
**120BBK**



Mixed finishes available. See our website for details.

### Cleaning & Care

- Regularly clean with mild soapy water using a clean, soft cloth.
- Do not use harsh detergents, bleach, abrasive cleaners or cream/wax cleaners. These substances can result in scratches and/or deposit build-ups that will affect the appearance.
- Avoid placing hot objects, such as hair straighteners, on any surface as these will cause discolouration and marking.
- Spills of hair dye, after-shave lotion, nail polish and remover, aerosol spray and other harsh chemicals should be removed immediately to prevent damage and discolouration. Clean immediately with mild soapy water using a clean, soft cloth.

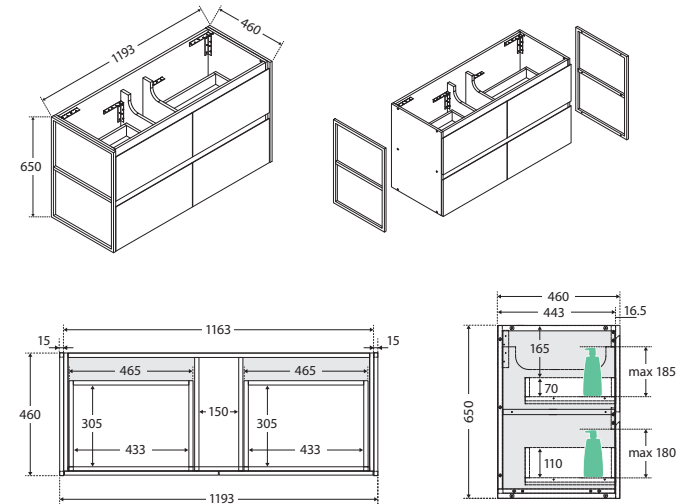
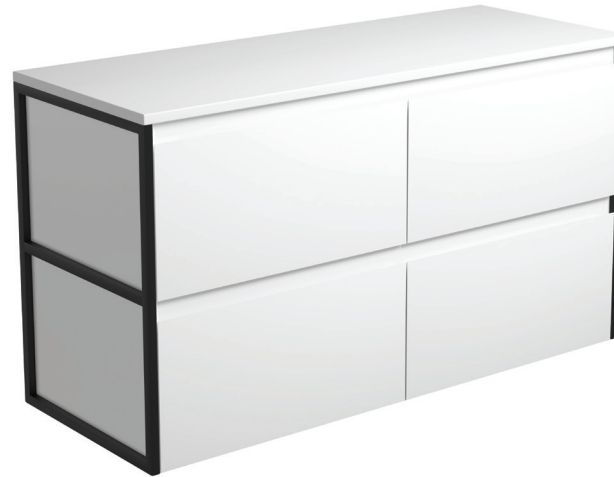
While we aim to ensure specifications are correct at the time of publication, Fienza reserves the right to make modifications without prior notice. Physical colour may vary from image shown. All measurements are shown in millimetres. Always use physical product measurements for mark-ups and roughing-in as the technical drawing may differ from actual product received.

# Amato®

## 1200MM WALL-HUNG CABINET WITH BLACK FRAMES

### Features

- Customised with matte black metal frames
- Bevelled edge pull channel
- Interior drawer finish matches the external drawer fronts
- Full extension, soft close drawer runners
- 16 mm thick backing board and drawer bases
- Made from sustainably sourced timber



### Available in



Satin White with Black Frames

**120BWF**



Scandi Oak with Black Frames

**120BSF**



Industrial with Black Frames

**120BXF**



Satin Black with Black Frames

**120BBF**



Mixed finishes available. See our website for details.

### Cleaning & Care

- Regularly clean with mild soapy water using a clean, soft cloth.
- Do not use harsh detergents, bleach, abrasive cleaners or cream/wax cleaners. These substances can result in scratches and/or deposit build-ups that will affect the appearance.
- Avoid placing hot objects, such as hair straighteners, on any surface as these will cause discolouration and marking.
- Spills of hair dye, after-shave lotion, nail polish and remover, aerosol spray and other harsh chemicals should be removed immediately to prevent damage and discolouration. Clean immediately with mild soapy water using a clean, soft cloth.

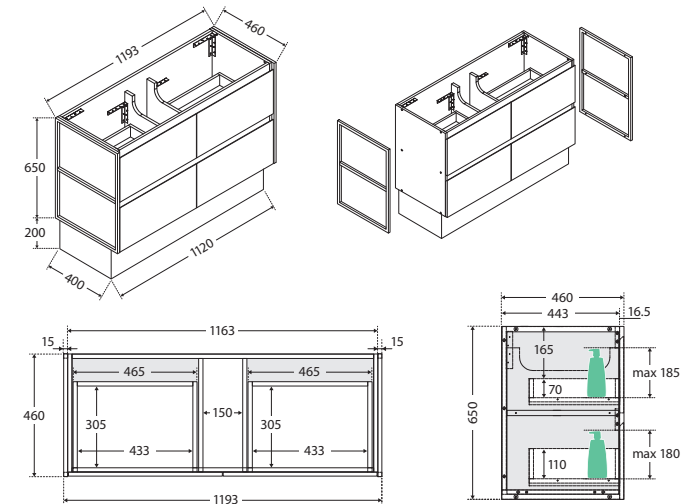
While we aim to ensure specifications are correct at the time of publication, Fienza reserves the right to make modifications without prior notice. Physical colour may vary from image shown. All measurements are shown in millimetres. Always use physical product measurements for mark-ups and roughing-in as the technical drawing may differ from actual product received.

# Amato®

## 1200MM CABINET ON KICKBOARD WITH BLACK FRAMES

### Features

- Customised with matte black metal frames
- Bevelled edge pull channel
- Interior drawer finish matches the external drawer fronts
- Full extension, soft close drawer runners
- 16 mm thick backing board and drawer bases
- Made from sustainably sourced timber



### Available in



Satin White with Black Frames  
**120BWFK**



Scandi Oak with Black Frames  
**120BSFK**



Industrial with Black Frames  
**120BXFK**



Satin Black with Black Frames  
**120BBFK**



Mixed finishes available. See our website for details.

### Cleaning & Care

- Regularly clean with mild soapy water using a clean, soft cloth.
- Do not use harsh detergents, bleach, abrasive cleaners or cream/wax cleaners. These substances can result in scratches and/or deposit build-ups that will affect the appearance.
- Avoid placing hot objects, such as hair straighteners, on any surface as these will cause discolouration and marking.
- Spills of hair dye, after-shave lotion, nail polish and remover, aerosol spray and other harsh chemicals should be removed immediately to prevent damage and discolouration. Clean immediately with mild soapy water using a clean, soft cloth.

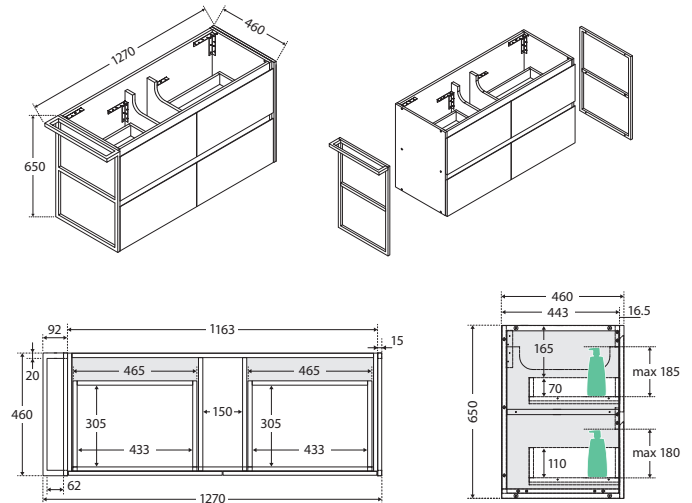
While we aim to ensure specifications are correct at the time of publication, Fienza reserves the right to make modifications without prior notice. Physical colour may vary from image shown. All measurements are shown in millimetres. Always use physical product measurements for mark-ups and roughing-in as the technical drawing may differ from actual product received.

# Amato®

## 1200MM WALL-HUNG CABINET WITH 1 FRAME & 1 TOWEL RAIL

### Features

- Customised with 1 matte black metal frame and 1 matte black towel rail
- Bevelled edge pull channel
- Interior drawer finish matches the external drawer fronts
- Full extension, soft close drawer runners
- 16 mm thick backing board and drawer bases
- Made from sustainably sourced timber



### Available in



Satin White with 1  
Frame & 1 Towel Rail  
**120BWFT**



Scandi Oak with 1  
Frame & 1 Towel Rail  
**120BSFT**



Industrial with 1  
Frame & 1 Towel Rail  
**120BXFT**



Satin Black with 1  
Frame & 1 Towel Rail  
**120BBFT**



Mixed finishes  
available. See our  
website for details.

### Cleaning & Care

- Regularly clean with mild soapy water using a clean, soft cloth.
- Do not use harsh detergents, bleach, abrasive cleaners or cream/wax cleaners. These substances can result in scratches and/or deposit build-ups that will affect the appearance.
- Avoid placing hot objects, such as hair straighteners, on any surface as these will cause discolouration and marking.
- Spills of hair dye, after-shave lotion, nail polish and remover, aerosol spray and other harsh chemicals should be removed immediately to prevent damage and discolouration. Clean immediately with mild soapy water using a clean, soft cloth.

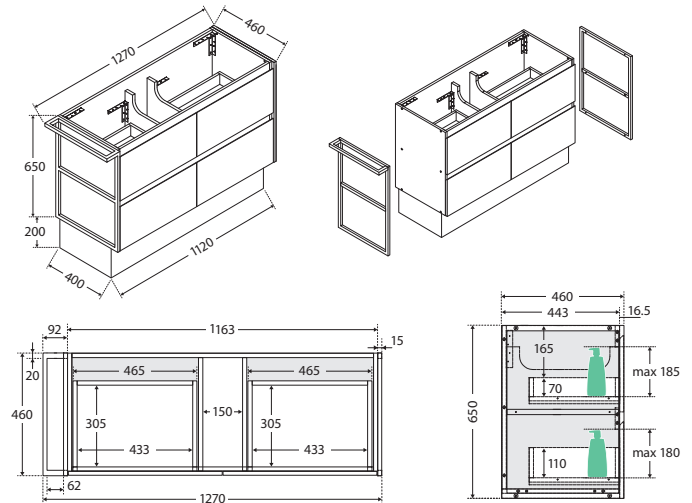
While we aim to ensure specifications are correct at the time of publication, Fienza reserves the right to make modifications without prior notice. Physical colour may vary from image shown. All measurements are shown in millimetres. Always use physical product measurements for mark-ups and roughing-in as the technical drawing may differ from actual product received.

# Amato®

## 1200MM CABINET ON KICKBOARD WITH 1 FRAME & 1 TOWEL RAIL

### Features

- Customised with 1 matte black metal frame and 1 matte black towel rail
- Bevelled edge pull channel
- Interior drawer finish matches the external drawer fronts
- Full extension, soft close drawer runners
- 16 mm thick backing board and drawer bases
- Made from sustainably sourced timber



### Available in



Satin White with 1  
Frame & 1 Towel Rail  
**120BWFTK**



Scandi Oak with 1  
Frame & 1 Towel Rail  
**120BSFTK**



Industrial with 1  
Frame & 1 Towel Rail  
**120BXFTK**



Satin Black with 1  
Frame & 1 Towel Rail  
**120BBFTK**



Mixed finishes  
available. See our  
website for details.

### Cleaning & Care

- Regularly clean with mild soapy water using a clean, soft cloth.
- Do not use harsh detergents, bleach, abrasive cleaners or cream/wax cleaners. These substances can result in scratches and/or deposit build-ups that will affect the appearance.
- Avoid placing hot objects, such as hair straighteners, on any surface as these will cause discolouration and marking.
- Spills of hair dye, after-shave lotion, nail polish and remover, aerosol spray and other harsh chemicals should be removed immediately to prevent damage and discolouration. Clean immediately with mild soapy water using a clean, soft cloth.

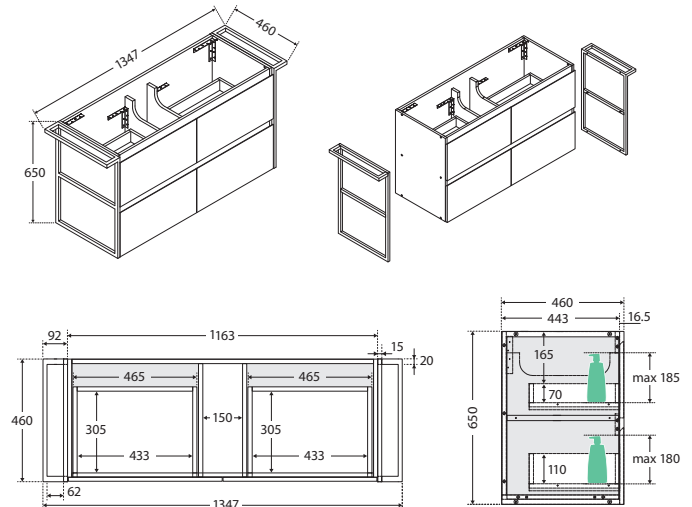
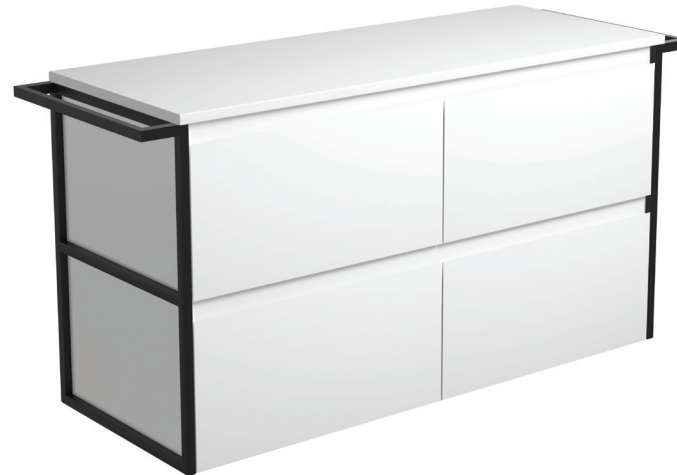
While we aim to ensure specifications are correct at the time of publication, Fienza reserves the right to make modifications without prior notice. Physical colour may vary from image shown. All measurements are shown in millimetres. Always use physical product measurements for mark-ups and roughing-in as the technical drawing may differ from actual product received.

# Amato®

## 1200MM WALL-HUNG CABINET WITH BLACK TOWEL RAILS

### Features

- Customised with matte black towel rails
- Bevelled edge pull channel
- Interior drawer finish matches the external drawer fronts
- Full extension, soft close drawer runners
- 16 mm thick backing board and drawer bases
- Made from sustainably sourced timber



### Available in



Satin White with Black Towel Rails

**120BWT**



Scandi Oak with Black Towel Rails

**120BST**



Industrial with Black Towel Rails

**120BXT**



Satin Black with Black Towel Rails

**120BBT**



Mixed finishes available. See our website for details.

### Cleaning & Care

- Regularly clean with mild soapy water using a clean, soft cloth.
- Do not use harsh detergents, bleach, abrasive cleaners or cream/wax cleaners. These substances can result in scratches and/or deposit build-ups that will affect the appearance.
- Avoid placing hot objects, such as hair straighteners, on any surface as these will cause discolouration and marking.
- Spills of hair dye, after-shave lotion, nail polish and remover, aerosol spray and other harsh chemicals should be removed immediately to prevent damage and discolouration. Clean immediately with mild soapy water using a clean, soft cloth.

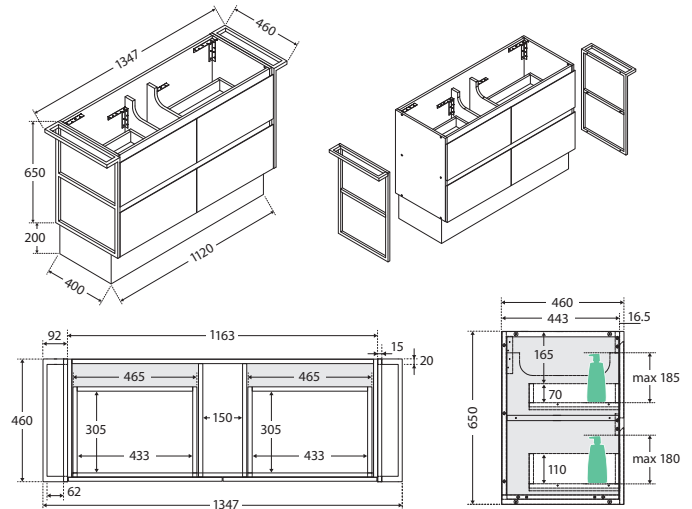
While we aim to ensure specifications are correct at the time of publication, Fienza reserves the right to make modifications without prior notice. Physical colour may vary from image shown. All measurements are shown in millimetres. Always use physical product measurements for mark-ups and roughing-in as the technical drawing may differ from actual product received.

# Amato®

## 1200MM CABINET ON KICKBOARD WITH BLACK TOWEL RAILS

### Features

- Customised with matte black towel rails
- Bevelled edge pull channel
- Interior drawer finish matches the external drawer fronts
- Full extension, soft close drawer runners
- 16 mm thick backing board and drawer bases
- Made from sustainably sourced timber



### Available in



Satin White with  
Black Towel Rails  
**120BWTk**



Scandi Oak with  
Black Towel Rails  
**120BSTk**



Industrial with  
Black Towel Rails  
**120BXTk**



Satin Black with  
Black Towel Rails  
**120BBTk**



Mixed finishes  
available. See our  
website for details.

### Cleaning & Care

- Regularly clean with mild soapy water using a clean, soft cloth.
- Do not use harsh detergents, bleach, abrasive cleaners or cream/wax cleaners. These substances can result in scratches and/or deposit build-ups that will affect the appearance.
- Avoid placing hot objects, such as hair straighteners, on any surface as these will cause discolouration and marking.
- Spills of hair dye, after-shave lotion, nail polish and remover, aerosol spray and other harsh chemicals should be removed immediately to prevent damage and discolouration. Clean immediately with mild soapy water using a clean, soft cloth.

While we aim to ensure specifications are correct at the time of publication, Fienza reserves the right to make modifications without prior notice. Physical colour may vary from image shown. All measurements are shown in millimetres. Always use physical product measurements for mark-ups and roughing-in as the technical drawing may differ from actual product received.