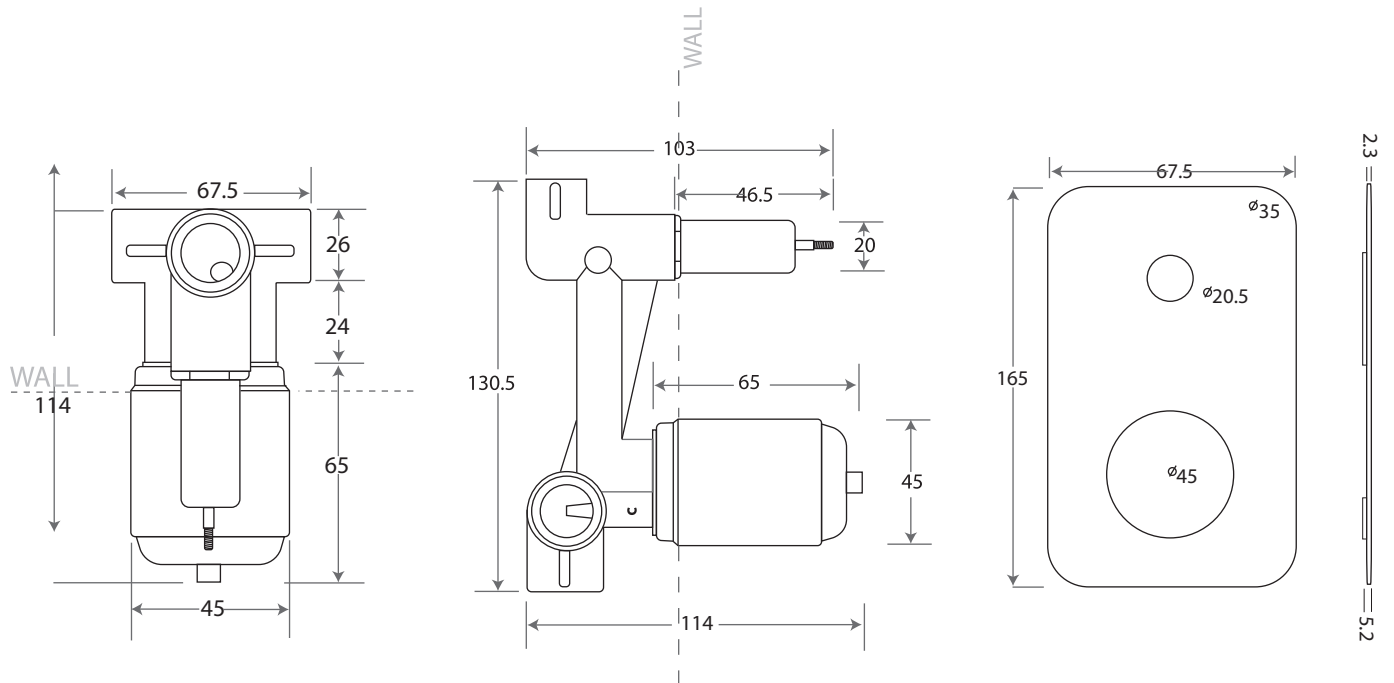


# SPECIFICATIONS

## MARTINI WALL DIVERTER

### Part A



### Part B

